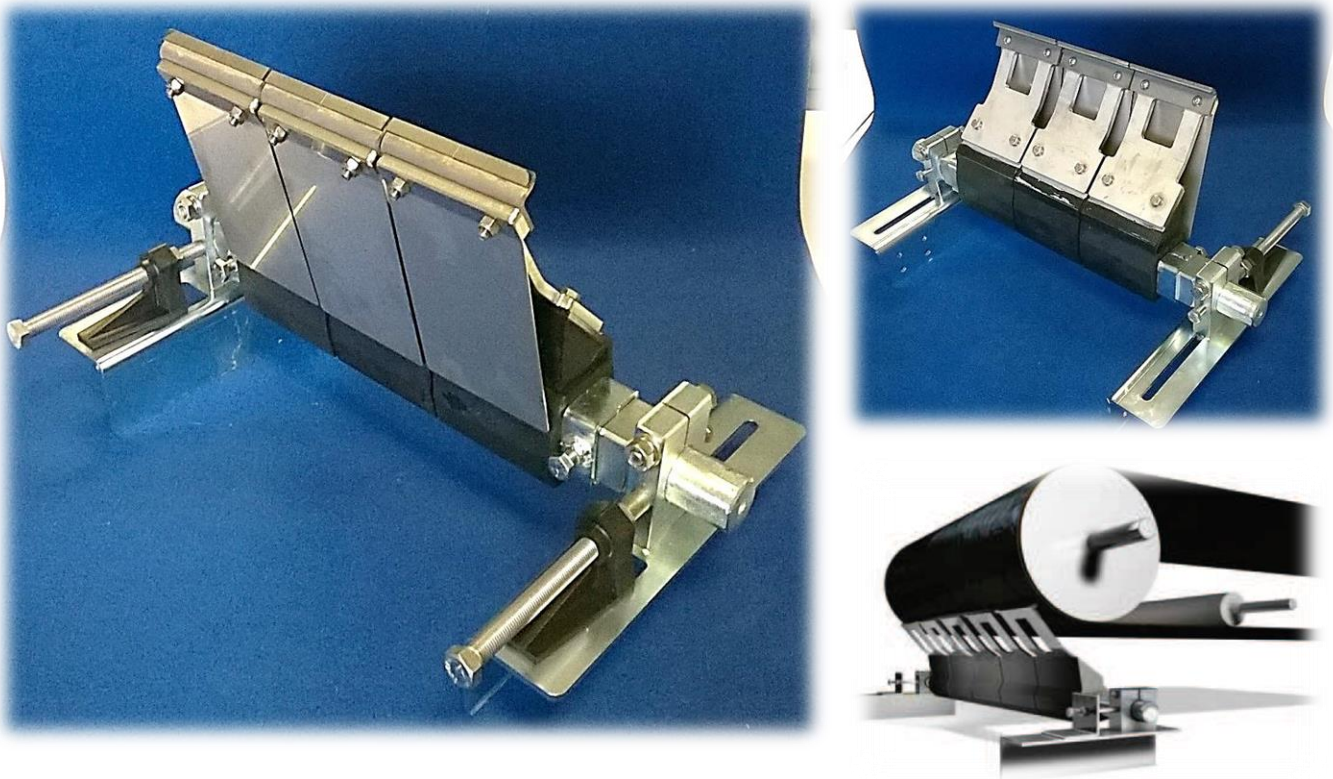


Scraper NTV type

Radial reversible scraper with segmented blade

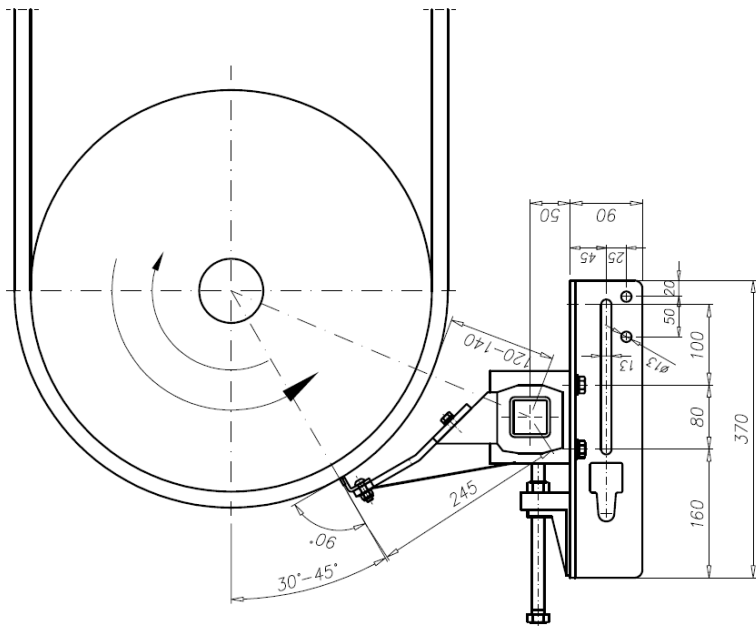
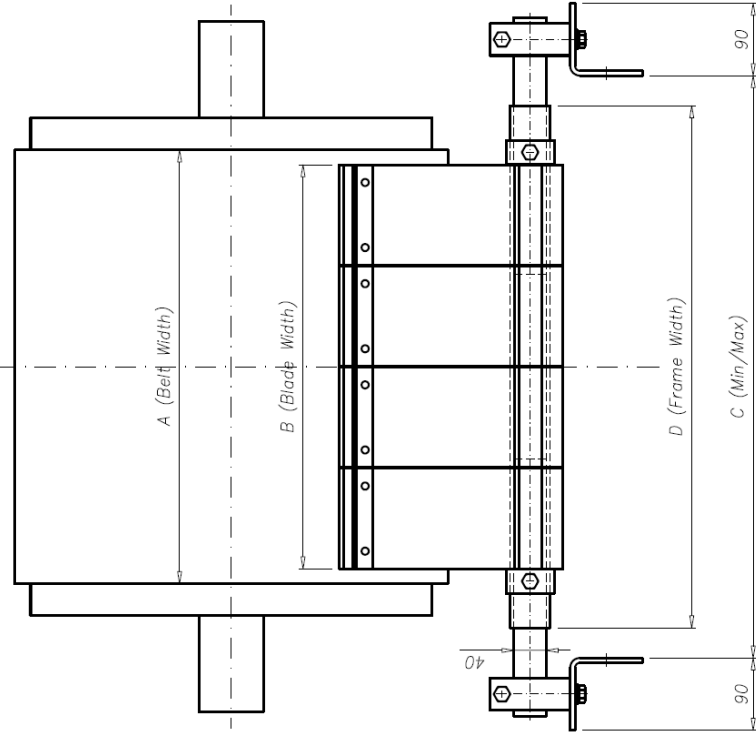


APPLICATIONS

Suitable for scraping moist, thin and abrasive products.
Also suitable for reversible conveyor belts.

FEATURES

- Widia blades with stainless steel blade holder on rubber damper.
- Adjustable width for fixing to the frame of the conveyor belt.
- Adjustable tilt in order to obtain the best working angle.
- Adjustable working pressure by screws.
- Minimum maintenance.
- Quick change of blades without having to remove the scraper



Scraper type	A	B	C Min	C Max	D
NTV400	400	378	440	730	500
NTV500	500	504	590	880	650
NTV650	650	630	740	1130	800
NTV800	800	756	940	1350	1000
NTV1000	1000	1008	1140	1850	1200
NTV1200	1200	1133	1340	2050	1400

VERDI VERDI S.p.A.
Via A. Volta, 7/1 42024 Castelnovo Di Sotto (RE)
Tel. 0522.683899 Fax 0522.683086

Assembly plan
NTV Scraper

NTV scraper assembly

- Place the scraper at the bottom of the slots of the support corners.
- Put the blades in contact with the belt.
- Fix the scraper to the conveyor frame by means of the supporting corners.
- Adjust the scraper pressure using the adjusting screws.
- The ideal scraping position of the blades during operation is 90°.
- Fix in position by tightening the fixing screws.